

Push-Lock Turnbuckle

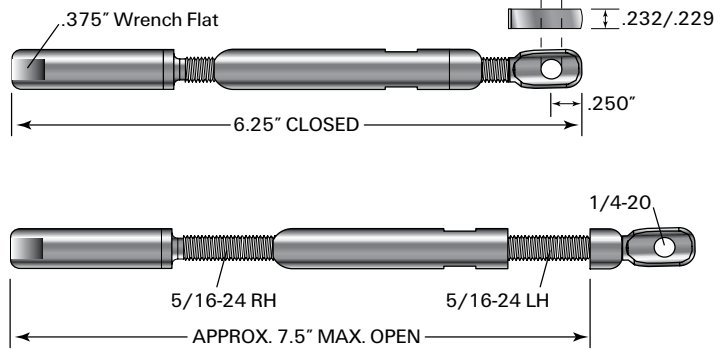
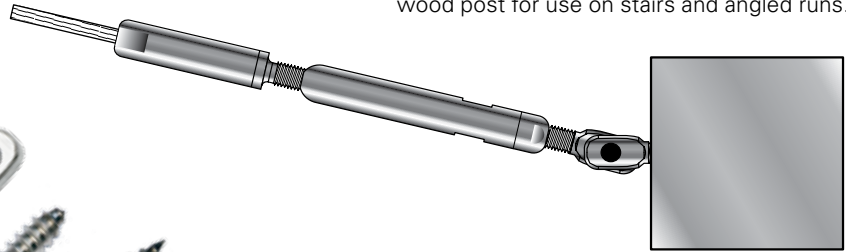
TENSIONER

The Push-Lock tensioner for inside-of-post applications.

Easy to install

Push-Lock Turnbuckles are typically used as a second tensioning device on longer runs. They are a combination of our Adjust-a-Body tensioners and Push-Lock Studs, and are available with whatever connecting end is necessary. Whether wood posts, metal posts, sleeved posts, or even concrete; level runs or stairs, the Push-Lock Turnbuckle is our most universal fitting.

Push-Lock Turnbuckles with Threaded Eyes mount to lag eyes, tabs, or holes on the outside of your metal or wood post for use on stairs and angled runs.



PUSH-LOCK™ TURNBUCKLE with THREADED EYE

CABLE DIA.	PART NO.	USE WITH MOUNTING SCREW NO.*	OPTIONS FOR MOUNTING TO END POSTS	
			FOR METAL POSTS, USE WITH MOUNTING TAB NO.	FOR WOOD POSTS, USE WITH
1/8"	PL-TB-TE-4	SC-6	TT-6B	LE-6
3/16"	PL-TB-TE-6			

*Order SC-6 Screw Separately.

PUSH-LOCK TURNBUCKLE with HANGER BOLT, THREADED BOLT, EXTENDED LENGTH HANGER BOLT, or ANCHOR BOLT

1/8" cable				3/16" cable			
wood post	metal post	sleeved post (>.41/2" outside diameter)	concrete post	wood post	metal post	sleeved post (>.41/2" outside diameter)	concrete post
PART NO.	PART NO.	PART NO.	PART NO.	PART NO.	PART NO.	PART NO.	PART NO.
PL-TB-HB-4	PL-TB-TB-4	PL-TB-HBL-4	PL-TB-AB-4	PL-TB-HB-6	PL-TB-TB-6	PL-TB-HBL-6	PL-TB-AB-6

Push-Lock fittings are made of type 316 stainless steel, with the exception of internal components that are made of other types of stainless steel.

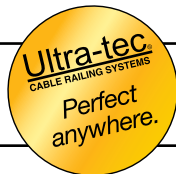
DESIGNED FOR USE WITH 1X19 L.H. STRAND ONLY



10
7/1/13

ISO 9001: 2008 Certified / U.S.A. Manufacturer

Ultra-tec
CABLE RAILING SYSTEMS



1-800-851-2961 ■ 775-885-1443 ■ Fax 775-885-2734

52 Heppner Drive ■ Carson City, NV 89706

E-mail: info@ultra-tec.com Website: www.ultra-tec.com